

SILVER SPORT *Transmissions*

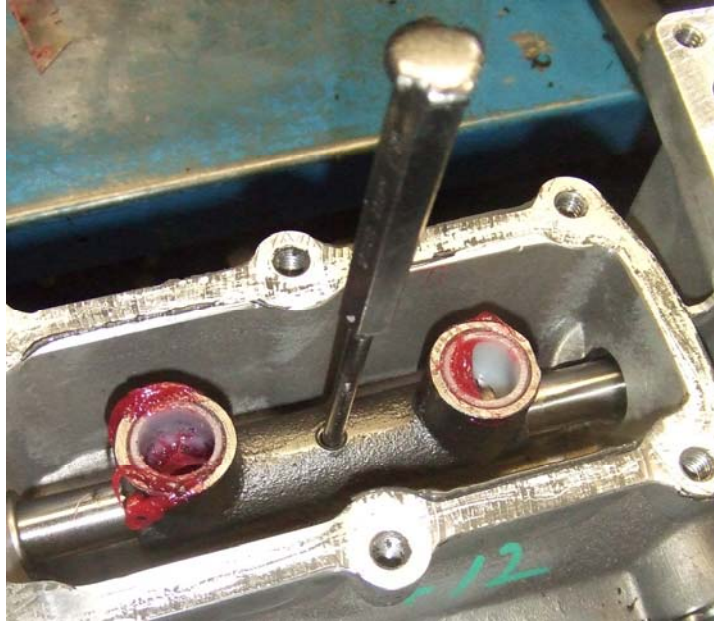
TKO Transmission Mid-Shift Kit Installation Instructions



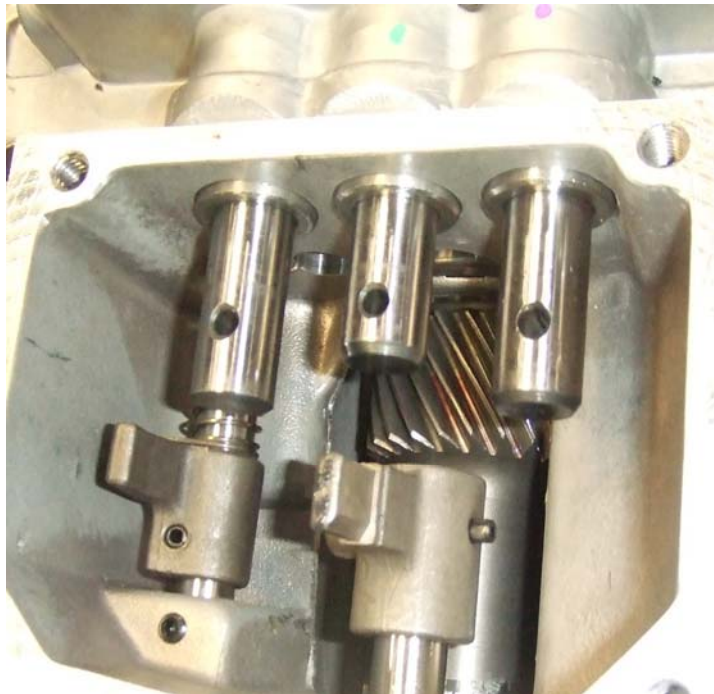
TKO Mid-Shift Kit

STEP BY STEP PROCEDURE:

- 1) Drain transmission fluid into clean container for reuse and remove transmission from vehicle.
- 2) Remove the 4 bolts from silver color plated top cover plate on the extension housing where the new shifter will be mounted. **DO NOT REMOVE** the forward yellow color plated cover plate mounted on the case top cover.
- 3) Gently pry the silver color plated cover plate off and clean both surfaces.
- 4) Remove the 6 bolts that secure the red/gray stock tower to the transmission, gently pry off, and discard. Clean both surfaces.



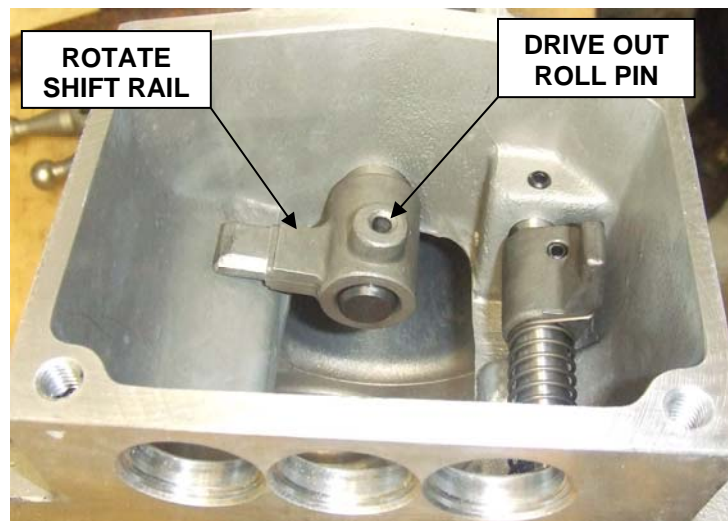
- 5) Locate the rear shifter lug and drive roll pin approx. 1/4 of the way down to retain centered position of shift rail during the disassembly process.



- 6) Completely drive out the 3 roll pins in the shifter selector area. Only save the long pin from the center lug and discard the other 2 pins (stronger style replacement spirol pins are included in the kit).
- 7) Remove the driver's side shift lug first, then the passenger's side, and finally the center lug.



- 8) Remove the 6 bolts holding the extension housing to the main case, and gently pry it off. Clean both surfaces.
- 9) **IMPORTANT:** Recover the 3 rolls pins from rear cavity of extension housing that were removed in step 6.
- 10) Finish driving out the roll pin from the rear shifter lug that was partially removed in step 5 and discard pin.



- 11) Turn the shift rail toward the passenger side and drive out the long roll pin. discard pin. Remove the center shifter lug and discard. Remove rail and rear shifter lug from extension housing and discard both parts.



- 12) Remove the neutral safety switch and discard. Install supplied bolt and washer to plug hole.
- 13) Remove the bearing race and shims from extension housing. Place small amount of grease in the bearing race bore to keep race and shims from falling out during reassembly, and reinsert into extension housing.
- 14) Remove the O-rings from the 3 shifter rails and replace with new ones (included).
NOTE: Replace O-rings exposed when extension housing is removed. Place a small amount of grease on each O-ring before installation.
- 15) Run a small bead of Permatex™ Ultra-Grey Gasket Maker sealant on the main case to extension housing mounting flange.
- 16) Reinstall extension housing and torque bolts to 55 ft-lbs.

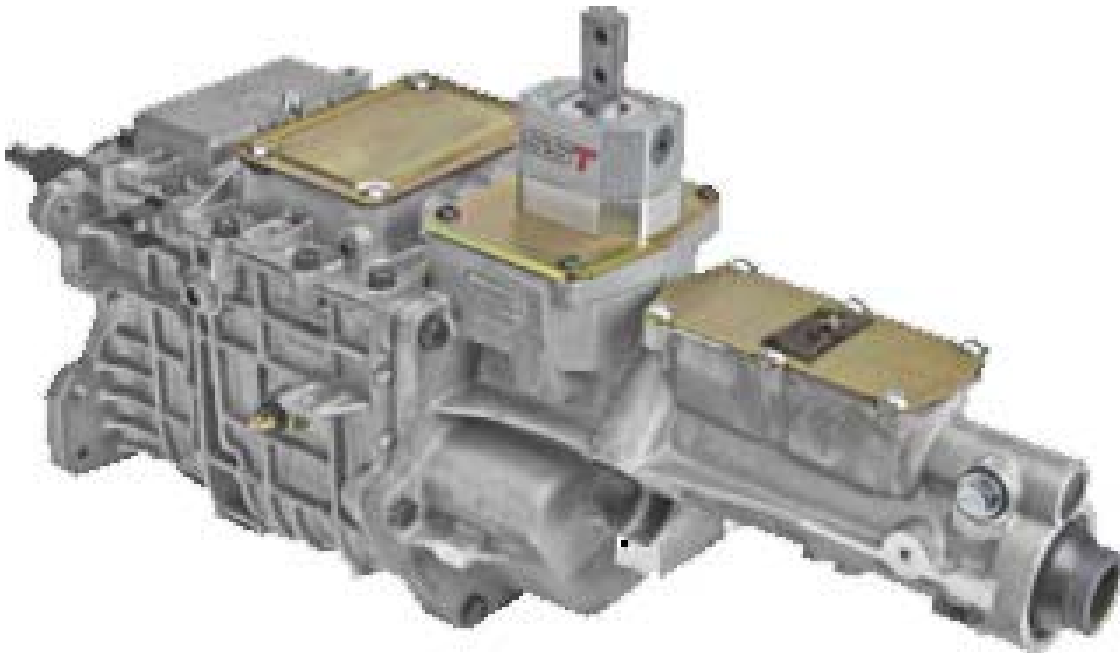


- 17) Install the new supplied replacement center shifter finger with the flat side down and secure with long roll pin previously removed in step 6.
- 18) Install driver's side shift lug and secure with new short spirol pin
- 19) Install passenger's side shift lug and secure with new short spirol pin.



All shifter lugs installed

- 20) Run a small bead of Permatex™ Ultra-Grey Gasket Maker sealant around the mid-shifter opening and around the original rear shifter opening. Install the shifter tower and the new rear shifter opening cover plate. Torque bolts to 20-25 ft-lb. Allow sealant to dry for 24 hours before filling with fluid.



Completed Installation