



SILVER SPORT *Transmissions*

GM G-BODY 1978-83 FRAME EXTENSION INSTALLATION INSTRUCTIONS



1. Insert Frame Extension into Driver Side sub-frame opening as shown above.



2. Secure the Frame Extension to the sub-frame using the provided hardware as shown in Figure A-A on the next page.

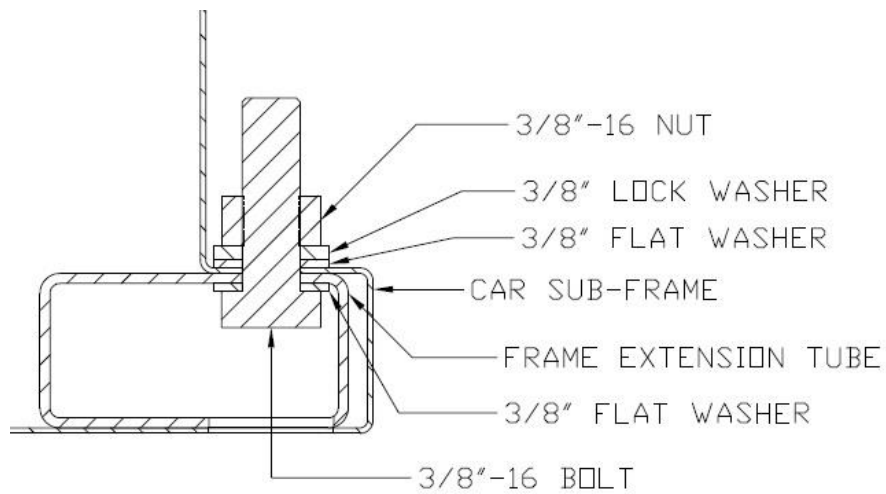


Fig. A-A



3. Drill two 1/4" diameter pilot holes in the sub-frame concentric with the two pre-existing 1/4" holes in the frame extender tube. If not a frame-off installation, the pilot hole locations can be approximated.



4. Enlarge pilot holes to 3/8" diameter.
5. Attach crossmember and install remaining hardware as shown in figure B-B on the next page.

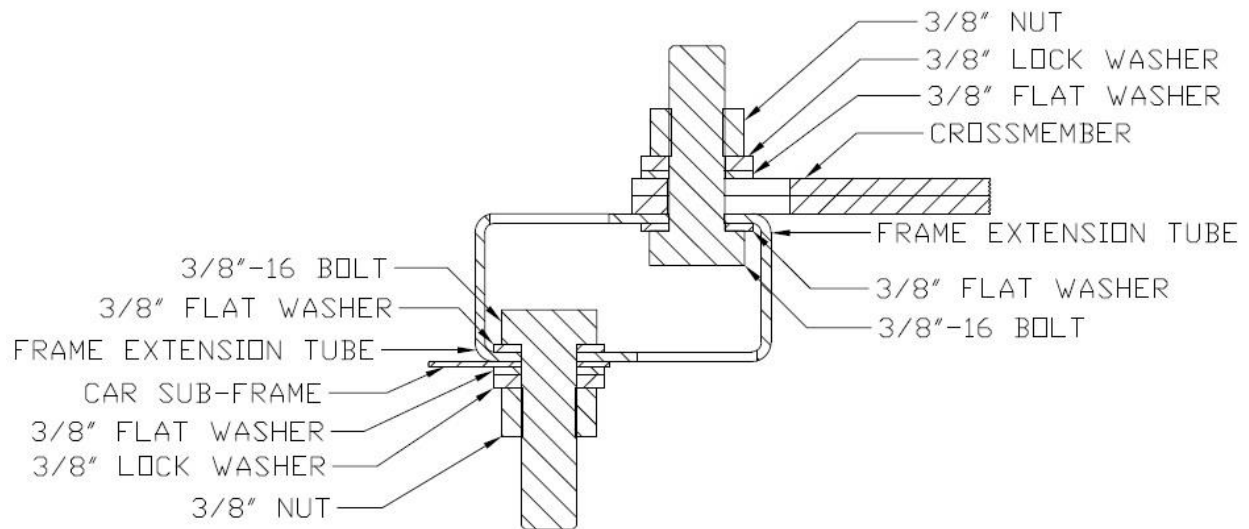


Fig. B-B

CONTACT INFORMATION

SILVER SPORT TRANSMISSIONS
 2250 STOCK CREEK BOULEVARD
 ROCKFORD, TENNESSEE 37853-3043

Phone: (865) 609-8187
 Toll Free: (888) 609-0094
 Fax: (865) 609-8287

WWW.SHIFTSST.COM

SILVER SPORT TRANSMISSIONS IS DEDICATED TO YOUR SATISFACTION AND ENJOYMENT OF THIS PRODUCT. PLEASE SEND US PICTURES OF YOUR CAR ALONG WITH A TESTIMONIAL OF HOW YOU RATE THIS PRODUCT. WE WILL BE POSTING MANY CUSTOMER FEEDBACK LETTERS AND PICTURES ON OUR WEBSITE AND BROCHURES.

**ENJOY YOUR SILVER SPORT
 TRANSMISSION SYSTEM!**