



SILVER SPORT Transmissions

1978 – 1988 G-BODY

CLUTCH PEDAL ACTUATOR ASM INSTALLATION MANUAL

FOLLOW FACTORY SERVICE MANUAL (FSM) RECOMMENDED SAFETY PRECAUTIONS. TRANSMISSION REMOVAL AND INSTALLATION IS A LABOR INTENSIVE JOB, WHICH CAN RESULT IN SERIOUS INJURY OR DEATH IF CAUTION IS NOT TAKEN. PLEASE BE CAREFUL PERFORMING THIS JOB, OR HAVE A PROFESSIONAL PERFORM THE JOB FOR YOU. REFER TO FSM FOR ADDITIONAL DETAILS OF THE PROCEDURES BELOW, AS REQUIRED.

The material herein is the intellectual property of Silver Sport Transmissions ("SST") and is to be used by SST customers or their authorized installers for the sole purpose of installing SST-supplied transmissions and related parts. Under no circumstances shall the manual or any portion thereof be copied, duplicated, distributed or incorporated in any written or printed document without the express written approval of Silver Sport Transmissions.

In addition to these instructions, you should receive the following instructions based on your order, **if applicable**:

1. Hydraulic throw out bearing kit – MAG-00402 "Hydraulic Kit Instructions For GM", appropriate sections.
2. MAG-00403 RAM TKO Hydraulic Manual.
3. MAG-00404 RAM MAGNUM Hydraulic Manual.

A. REMOVE EXISTING EQUIPMENT

Remove the existing brake pedal and install the new brake and clutch pedal set.

B. INSTALL NEW EQUIPMENT

Complete installation of the hydraulic kit by referring to the appropriate general hydraulic instructions. The G-Body clutch pedal actuator attachment uses a lever kit (see Fig. C) that attaches to the clutch pedal and accepts the master cylinder push rod. As a result, the G-Body master cylinder attachment differs from the general instructions in the following:

- a) Check your clutch pedal to make sure the hole is in the correct position. The correct position is 5.25 inches from the pivot point. If you don't have the hole drill a 5/16 hole in the pedal at that location. (see Figure D)
- b) Tighten nut on master cylinder to lock clevis in place.
- c) Insert clevis pin through the clevis on the backing plate and the lever (Hole 1 see Figure E) in the lower location and secure with provided cotter key.
- d) Insert clevis pin through master cylinder clevis and Hole 2 in lever (see Figure E).
- e) Connect male rod end to hole 3 in lever using 5/16 shoulder bolt (see Figure E)
- f) Connect female rod end to pedal using 5/16 shoulder bolt before tightening check the pedal height. After the pedal height is set, tighten the shoulder bolt and the jam on the rod end.
- g) Complete installation and bleeding per the general instructions "Hydraulic Kit Instructions For GM".

Figure C



Figure D

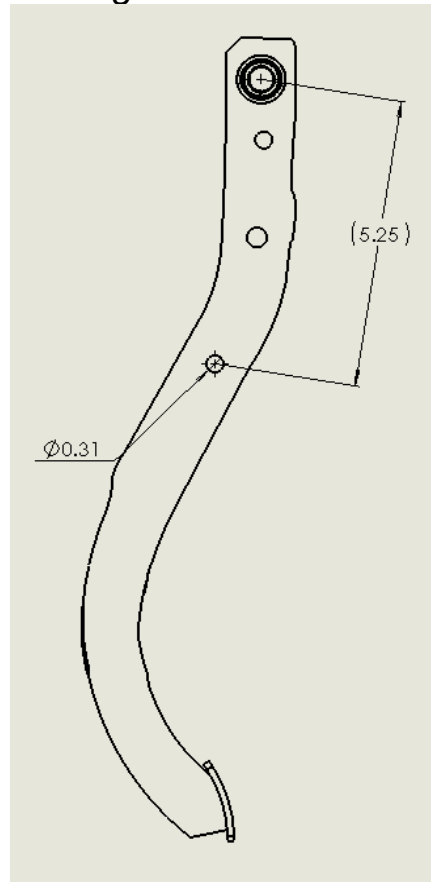


Figure E

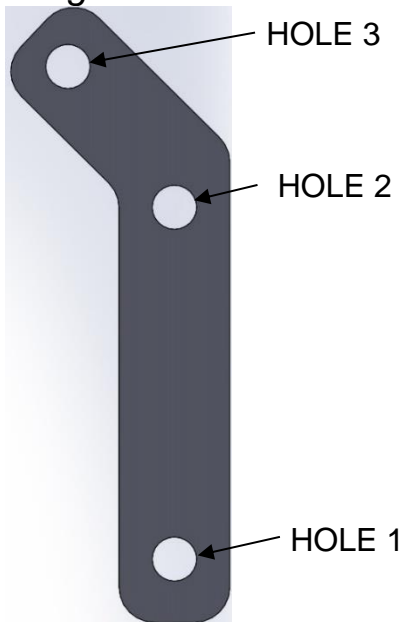
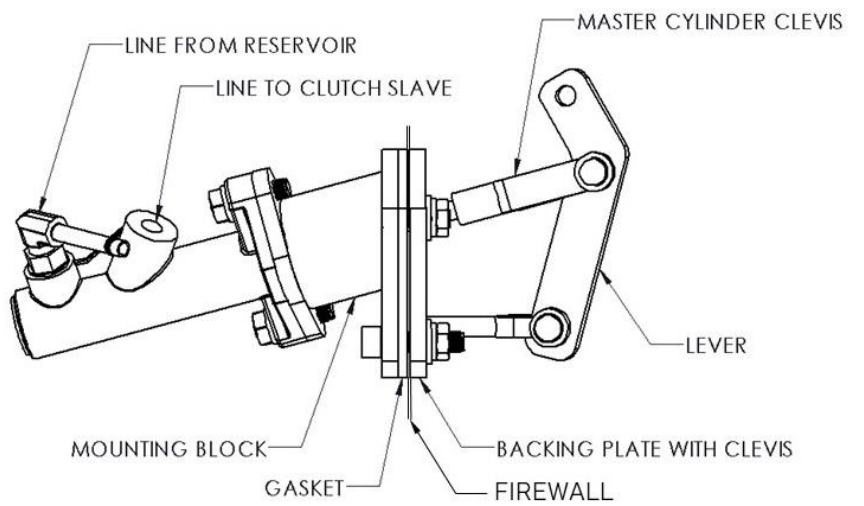
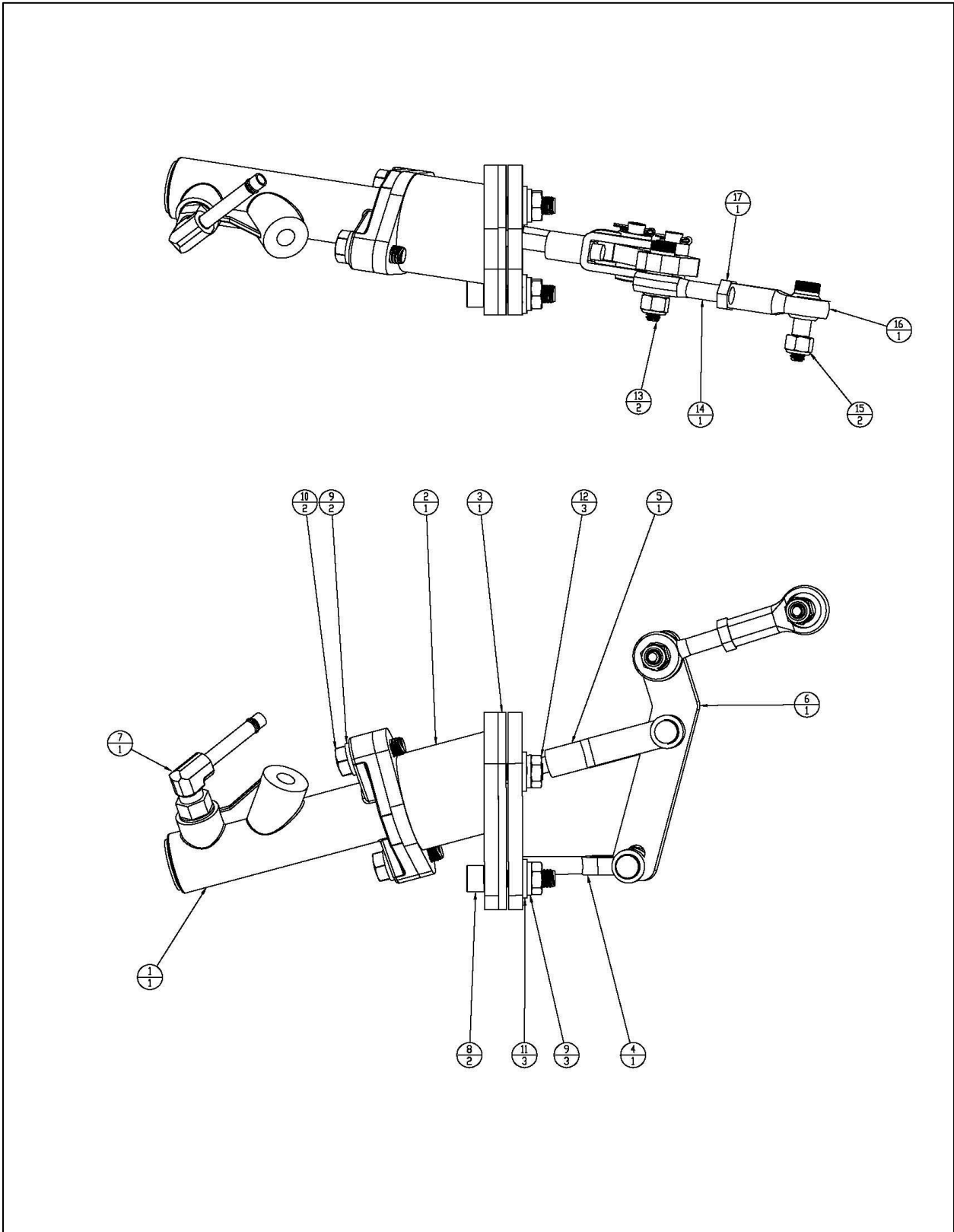


FIGURE F





ITEM NO.	PART NUMBER	DESCRIPTION	QTY.
1	CAA-2606089	MASTER CYLINDER	1
2	CAG-01651	MOUNT BLOCK	1
3	K-HYDR-A100	GASKET	1
4	CAG-01654	STIFFENER PLATE	1
5	HWAP-6071K13	CLEVIS	1
6	CAG-01653	LEVER	1
7	CAAP-4601NW04	90° 1/4" BARB FITTING	1
8	HWAP-90128A586	5/16"-18X1 1/4" SHCS	2
9	HWAP-33620	5/16" LOCK WASHER	5
10	HWAP-92865A583	5/16"-18X1" HEX BOLT	2
11	HWAP-33080	5/16" FLAT WASHER	3
12	HWAP-36304	5/16"-18 HEX NUT	3
13	HWAP-91259A581	5/16"-3/4 SHOULDER SCREW	2
14	HWAP-6072K63	5/16"-24 MALE HEIM JOINT	1
15	HWAP-37081	1/4"-20 LOCKNUT	2
16	HWAP-60645K331	5/16"-24 FEMALE HEIM JOINT	1
17	HWAP-94846A510	5/16"-24 JAM NUT	1