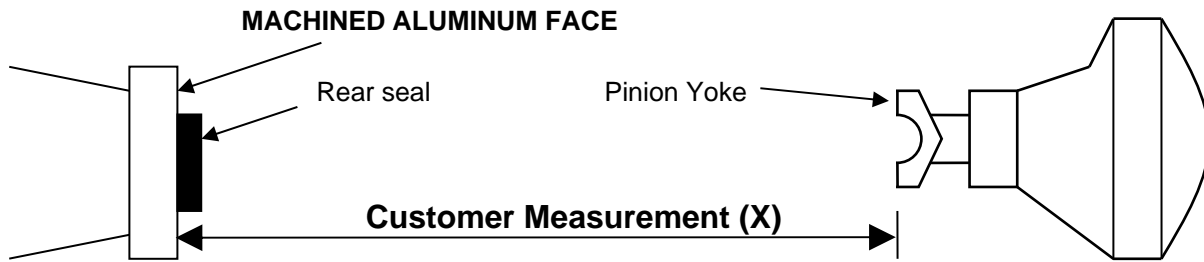


# SILVER SPORT

## Transmissions

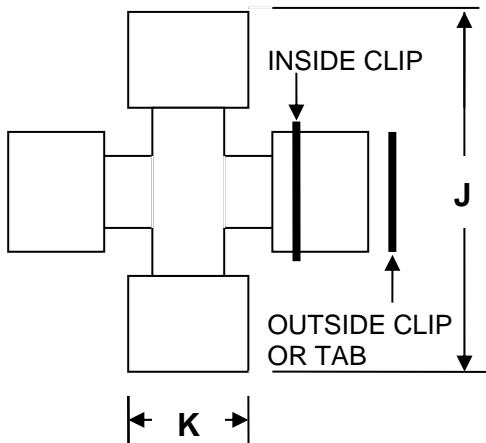
### Driveshaft Measuring Procedure

Due to variations in factory dimensions on classic cars, it is necessary for you to measure for your driveshaft. In order to ensure proper driveshaft length and prevent any fitment or vibration issues, Silver Sport asks that you use the following procedure for measuring the exact driveshaft length.



**1)** With the **NEW** transmission installed in the car, use a tape measure to determine the distance from the **MACHINED ALUMINUM FACE** on the back of the transmission tail housing to the **CENTERLINE** of the rear U-joint bearing cap. Take an accurate measurement, as being off a fraction of an inch can affect the drivability of your vehicle. **It is important to take this measurement with the weight of the car on all four wheels as the car will be driven.**

**2)** It is also **REQUIRED** that we know your rear U-joint type. Below is a list of U-joints and their corresponding dimensions. Make sure to measure the part of the U-joint that fits into the pinion, because the driveshaft part of the U-joint many times is different. Inside clips are simple C-clips that come already installed on the U-joint. The outside clip style of U-joint will normally have some type of tabs on the pinion to locate the U-joint.



UNIVERSAL JOINT SELECTION				
J Dimension	K Dimension	Pinion Yoke Clip Type	U-Joint Type	Usual Application
3-1/8"	1"	Inside	2RL	Ford
3-1/8"	1.078"	Inside	7260	Mopar
3-1/4"	1-1/16"	Outside or tab	1310	GM or Ford
3-1/4"	1-1/8"	Outside or tab	1310 Big Ford	Ford
3-5/8"	1-1/16"	Outside or tab	1330	GM or Ford
3-5/8"	1-1/8"	Inside	7290	Mopar
3-5/8"	1-1/8"	Inside	3R	GM
3-5/8"	1-1/8"	Outside or tab	Ford Cleveland	Ford
3-5/8"	1-3/16"	Outside or tab	1350	Any

**CHOOSE ONE**

**3)** Call Silver Sport Technical Support at **888-609-0094** with:  
 a. your (X) measurement **AND**  
 b. your U-joint type